

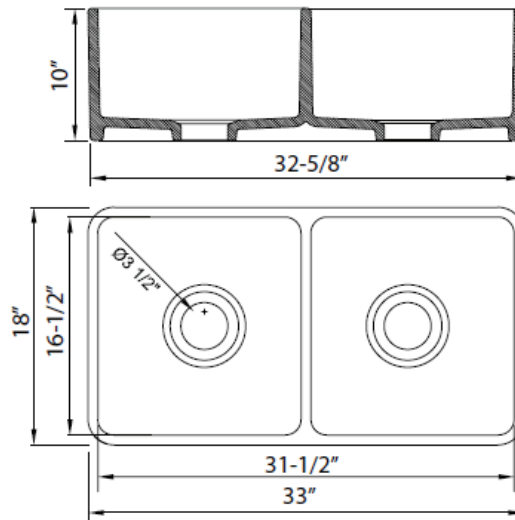
## FCCL332D

- More durable than porcelain sinks
- Non-Porus highly stain/scratch resistant
- Chip and scratch & resistant surface
- Standard 3-1/2" drain opening
- ASME A112.19.2 compliant
- Available in 3 colors



### Installation Note:

Fireclay sinks are artisan crafted and fired at very high temperatures. Dimensions will vary. Please wait until receiving the sink to fabricate cabinetry and countertops.



Available Colors: White & Charcoal