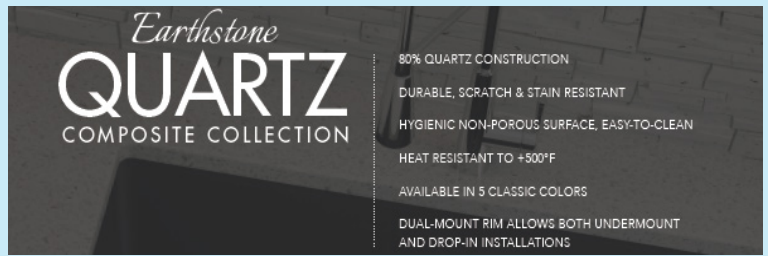


SHARPSINKS

A DIVISION OF ESI



QSLPV214

80% Quartz Construction

Heat Resistant to +500°F

Durable, Scratch & Stain Resistant

Hygienic, Easy-To-Clean Surface

Dual-Mount Rim

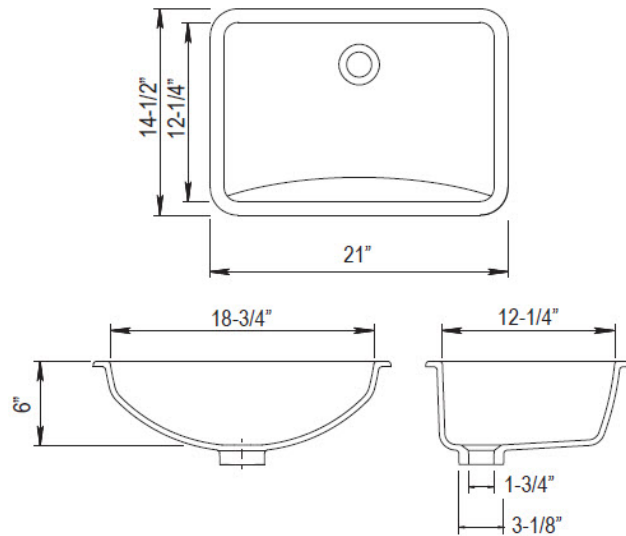
Available in 5 Popular Colors

Includes

Mounting Clips

Paper Template

DXF CAD Files Available



Available Colors: White, Black, Mocha, Concrete & Beige



a J.R. Sharp Company

SHARPSINKS

A DIVISION OF ESI

800-470-5831

www.esi4service.com

DALLAS, TX
DENVER, CO
LOS ANGELES, CA
PHOENIX, AZ

SALT LAKE CITY, UT
SAN FRANCISCO, CA
SEATTLE, WA
ST. LOUIS, MO