

SHARPSINKS

A DIVISION OF ESI

DURABLE 18 GA. STAINLESS STEEL

UNBEATABLE VALUE

UNDERMOUNT & DROP-IN OPTIONS

SLEEK MODERN DESIGN

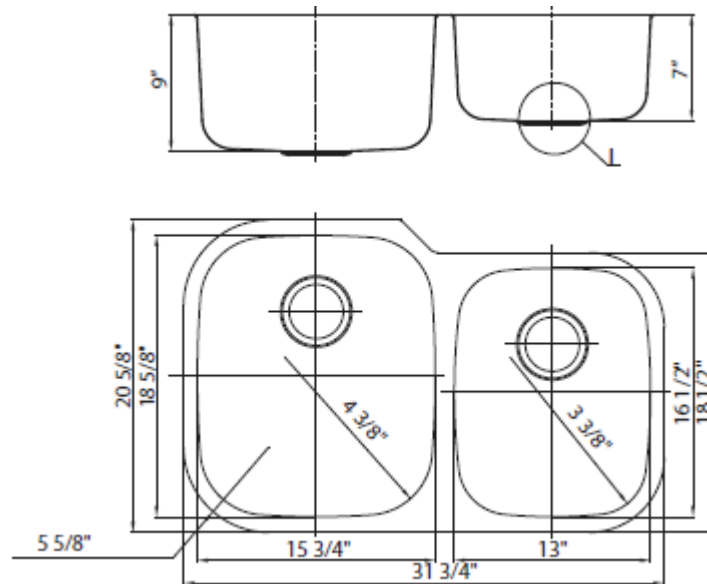
ADA COMPLIANT 18/22 GA. OPTIONS

BUILD SHARP

S360-18

18 Gauge Construction
Undermount
304 Series Stainless Steel
18/8 Chrome-Nickel Content
Fully Insulated Spray Coating
Sound Dampening Pads
Satin Finish
ASME 112.19.3-00
IAPMO/UPC Compliant

Includes
Mounting Clips
Paper Template
DXF CAD Files Available



SHARPSINKS
A DIVISION OF ESI
800-470-5831
www.esi4service.com

DALLAS, TX
DENVER, CO
LOS ANGELES, CA
PHOENIX, AZ

SALT LAKE CITY, UT
SAN FRANCISCO, CA
SEATTLE, WA
ST. LOUIS, MO