

SHARPSINKS

A DIVISION OF ESI

DURABLE 18 GA. STAINLESS STEEL
UNBEATABLE VALUE
UNDERMOUNT & DROP-IN OPTIONS
SLEEK MODERN DESIGN
ADA COMPLIANT 18/22 GA. OPTIONS

BUILD SHARP

S375-18

Top Mount

18 Gauge Construction

304 Series Stainless Steel

18/8 Chrome-Nickel Content

Fully Insulated Spray Coating

Sound Dampening Pads

Satin Finish

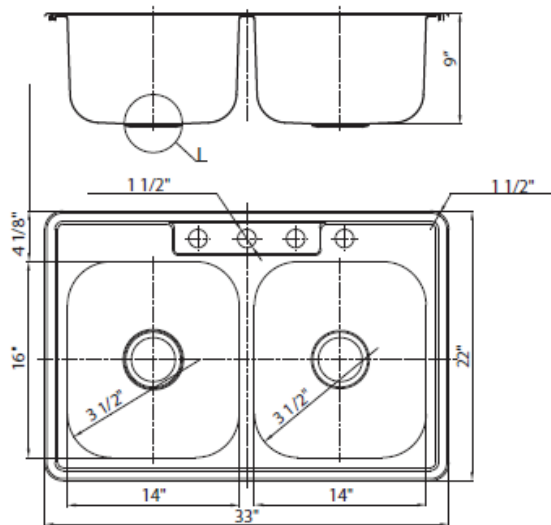
ASME 112.19.3-00

IAPMO/UPC Compliant

Includes

Mounting Clips

Paper Template



a J.R. Sharp Company

SHARPSINKS

A DIVISION OF ESI

800-470-5831

www.esi4service.com

DALLAS, TX
DENVER, CO
LOS ANGELES, CA
PHOENIX, AZ

SALT LAKE CITY, UT
SAN FRANCISCO, CA
SEATTLE, WA
ST. LOUIS, MO