

# SHARPSINKS

A DIVISION OF ESI

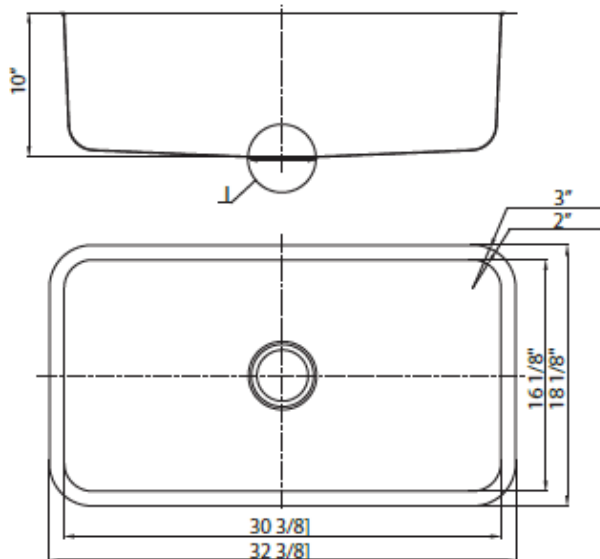
## ULTRASHARP

SLEEK EUROPEAN BOWL DESIGN  
STURDY 16-GAUGE CONSTRUCTION  
PREMIUM SATIN PEARL FINISH BOWLS & BRUSHED DECK  
TIGHTER RADIUS CORNERS MAXIMIZE USABLE SPACE  
ULTRABARRIER SOUND INSULATION  
LIMITED LIFETIME WARRANTY  
ACCESSORY KIT INCLUDED WITH KITCHEN MODELS

## ULTRA-190

16 Gauge Construction  
304 Series Stainless Steel  
18/8 Chrome-Nickel Content  
Fully Insulated Spray Coating  
Sound Dampening Pads  
Satin Pearl Finish  
ASME 112.19.3-00  
IAPMO/UPC Compliant

Includes  
Mounting Clips  
Paper Template  
DXF CAD Files Available



a J.R. Sharp Company

## SHARPSINKS

A DIVISION OF ESI

800-470-5831

[www.esi4service.com](http://www.esi4service.com)

DALLAS, TX  
DENVER, CO  
LOS ANGELES, CA  
PHOENIX, AZ

SALT LAKE CITY, UT  
SAN FRANCISCO, CA  
SEATTLE, WA  
ST. LOUIS, MO