

SHARPSINKS

A DIVISION OF ESI

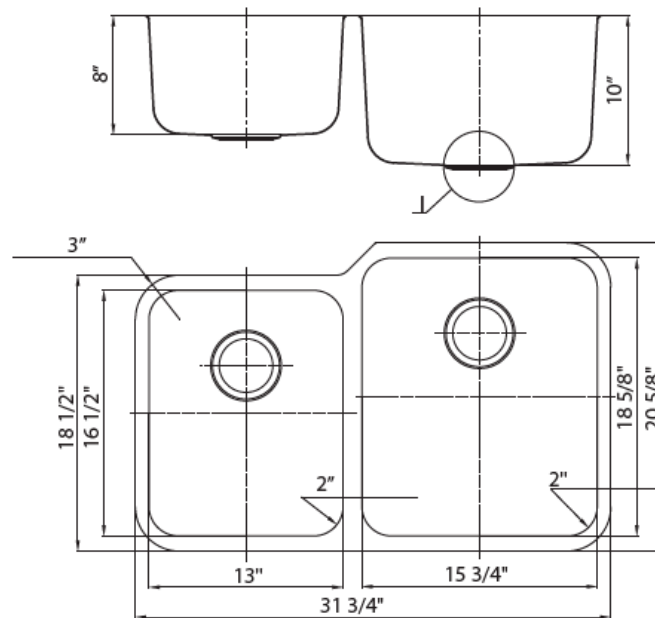
ULTRASHARP

SLEEK EUROPEAN BOWL DESIGN
STURDY 16-GAUGE CONSTRUCTION
PREMIUM SATIN PEARL FINISH BOWLS & BRUSHED DECK
TIGHTER RADIUS CORNERS MAXIMIZE USABLE SPACE
ULTRABARRIER SOUND INSULATION
LIMITED LIFETIME WARRANTY
ACCESSORY KIT INCLUDED WITH KITCHEN MODELS

ULTRA-211R

16 Gauge Construction
304 Series Stainless Steel
18/8 Chrome-Nickel Content
Fully Insulated Spray Coating
Sound Dampening Pads
Satin Pearl Finish
ASME 112.19.3-00
IAPMO/UPC Compliant

Includes
Mounting Clips
Paper Template
DXF CAD Files Available



a J.R. Sharp Company

SHARPSINKS

A DIVISION OF ESI

800-470-5831

www.esi4service.com

DALLAS, TX
DENVER, CO
LOS ANGELES, CA
PHOENIX, AZ

SALT LAKE CITY, UT
SAN FRANCISCO, CA
SEATTLE, WA
ST. LOUIS, MO