

SHARPSINKS

A DIVISION OF ESI

Serenity
**CERAMIC
COLLECTION**

STATE-OF-THE-ART MANUFACTURING PROCESSES
SPECIALIZED FORMING, GLAZING, AND FIRING TECHNIQUES
HIGHEST QUALITY CLAYS & ACID-RESISTANT GLAZES
ASME A112.19.2 COMPLIANT

VC10

Undermount Oval
Porcelain Ceramic Sink
Integral Overflow
ASME A112.19.2 Compliant
DXF CAD Files Available



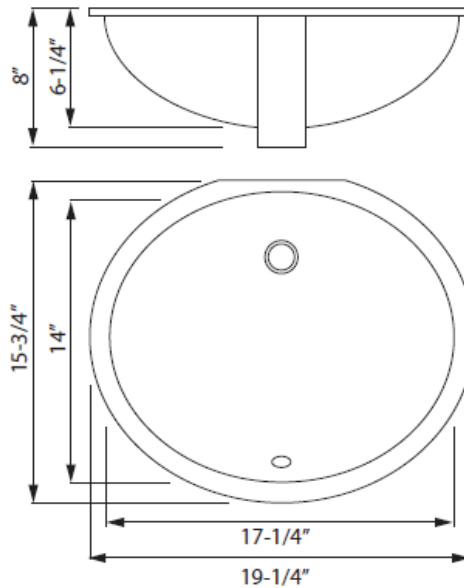
COLORS



WHITE



BISQUE



a J.R. Sharp Company

SHARPSINKS

A DIVISION OF ESI

800-470-5831

www.esi4service.com

DALLAS, TX
DENVER, CO
LOS ANGELES, CA
PHOENIX, AZ

SALT LAKE CITY, UT
SAN FRANCISCO, CA
SEATTLE, WA
ST. LOUIS, MO