

# SHARPSINKS

A DIVISION OF ESI

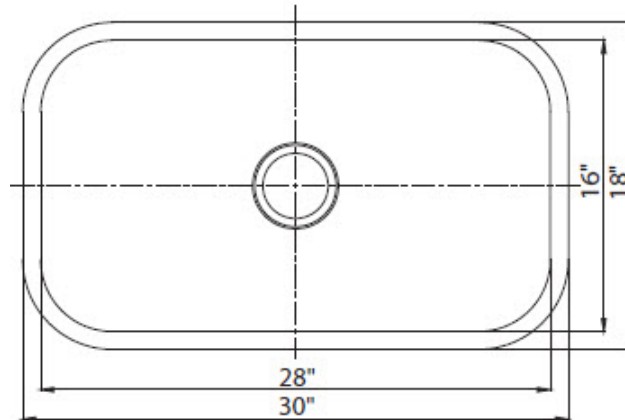
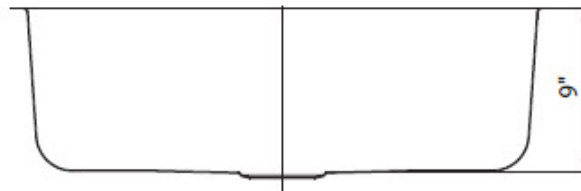
DURABLE 18 GA. STAINLESS STEEL  
UNBEATABLE VALUE  
UNDERMOUNT & DROP-IN OPTIONS  
SLEEK MODERN DESIGN  
ADA COMPLIANT 18/22 GA. OPTIONS

## BUILD SHARP

## VS18813-18

18 Gauge Construction Undermount  
304 Series Stainless Steel 18/8  
Chrome-Nickel Content Fully  
Insulated Spray Coating Sound  
Dampening Pads Satin Finish  
ASME 112.19.3-00 IAPMO/UPC  
Compliant

Includes  
Mounting Clips  
Paper Template  
DXF CAD Files Available



a J.R. Sharp Company

## SHARPSINKS

A DIVISION OF ESI

800-470-5831

[www.esi4service.com](http://www.esi4service.com)

DALLAS, TX  
DENVER, CO  
LOS ANGELES, CA  
PHOENIX, AZ

SALT LAKE CITY, UT  
SAN FRANCISCO, CA  
SEATTLE, WA  
ST. LOUIS, MO